

HF9514

1/2 CUBIC INCH 1 FORM C HERMETICALLY SEALED RELAY



Features

- Force balanced
- 25A contacts switching capability
- Failure rate can be level L
- High ambient applicability
- Hermetically welded and marked by laser

AMBIENT ADAPTABILITY

Ambient grade		I	II	III
Ambient temperature		-55 °C to 85 °C	-55 °C to 85 °C	-65 °C to 125 °C
Humidity		98%, 40 °C		
Low air pressure		58.53 kPa	4.39 kPa	4.39 kPa
Sine vibration	Frequency	10 Hz to 1000 Hz	10 Hz to 2000 Hz	10 Hz to 3000 Hz
	Acceleration	147 m/s ²	196 m/s ²	294 m/s ²
Shock resistance		490 m/s ²	980 m/s ²	1960 m/s ²
Random vibration		—	20 (m/s ²)/Hz	40 (m/s ²)/Hz
Steady-state acceleration		147 m/s ²	294 m/s ²	490 m/s ²

CONTACT DATA

Ambient grade		I	II	III
Arrangement		1 C		
Contact resistance or voltage drop	Initial max.	0.2V		0.15V
	After life max.	0.25V		0.175V

Contact and life ratings

Type	Contact load		Electrical life min.
	28Vd.c.	115Va.c. 400Hz Single phase	
Resistive	25A	25A	5 x 10 ⁴ ops
Inductive	12A	—	1 x 10 ⁴ ops
Inductive	—	15A	2 x 10 ⁴ ops
Motor	10A	—	5 x 10 ⁴ ops
Lamp load	5A	—	5 x 10 ⁴ ops



HONGFA HERMETICALLY SEALED RELAY

SPECIFICATION

Ambient grade		I	II	III
Insulation resistance min.	Initial	100 MΩ (@ 500 Vd.c.)	100 MΩ (@ 500 Vd.c.)	100 MΩ (@ 500 Vd.c.)
	After life or after testing	50 MΩ (@ 500 Vd.c.)	50 MΩ (@ 500 Vd.c.)	50 MΩ (@ 500 Vd.c.)
Dielectric strength min. (Normal condition)	Between coil & cover	1000 Vr.m.s.	1000 Vr.m.s.	1000 Vr.m.s.
	Between other insulation parts (initial)	1250 Vr.m.s.	1250 Vr.m.s.	1250 Vr.m.s.
	Between other insulation parts (after life testing)	1000 Vr.m.s.	1000 Vr.m.s.	1000 Vr.m.s.
Dielectric strength min. (Low air pressure condition)		350 Vr.m.s.	350 Vr.m.s.	350 Vr.m.s.
Leakage rate max.		1 Pa·cm ³ /s	1 x 10 ⁻¹ Pa·cm ³ /s	1 x 10 ⁻³ Pa·cm ³ /s
Operate time max.				15 ms
Release time max.				15 ms
Mounting style			See the mounting dimension	
Terminals			See the terminal styles	
Work position			Random	
Weight max.			41 g	

COIL DATA

Norminal coil power	Approx.2.5W
---------------------	-------------

Coil Version

Order Number	Coil voltage		at 25 °C				-65°C to 125°C			Pick-up voltage max.	
	Nominal voltage	Value max.	Coil resistance (1±10%)(Ω)	Pick-up voltage max.	Hold voltage max.	Drop-out voltage min.	Pick-up voltage max.	Hold voltage max.	Drop-out voltage min.	High temp. test	Continuous electric test
028	28	29	320	15.5	5.5	2.3	20.0	7.0	1.5	21.0	25.0

Notes: We can offer many kinds of of coil voltage under the requirement of users.

ORDERING INFORMATION

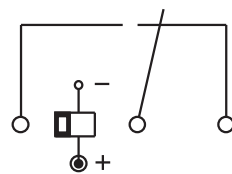
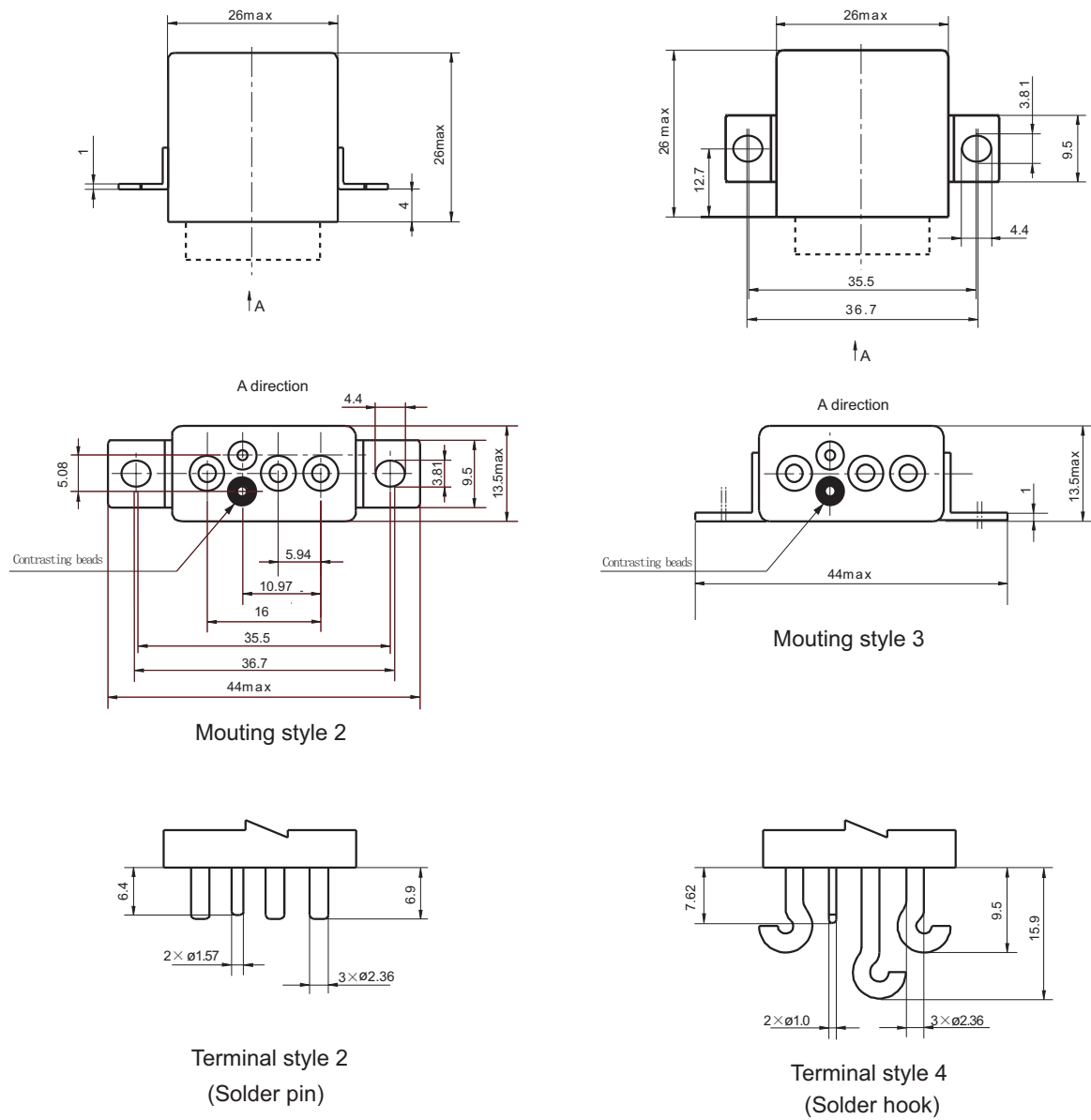
Type	HF9514	-028	L	-2	2	-II
Order Number	028					
Failure Rate	L: Failure rate level L (level III products available) ¹⁾ Nil: Without failure rate requirement(level I ,II ,IIIproducts available)					
Mounting Style	2, 3 (See the mounting dimension)					
Terminals Style	2, 4 (See " Terminal styles " below)					
Ambient Grade	I : level I II : level II III: level III					

Notes: 1) For the failure rate of L ,the letter "III" of ambient grade level will not appear on relay cover.

OUTLINE DIMENSIONS AND WIRING DIAGRAM

Unit:mm

Outline Dimension



Wiring Diagram
(Bottom View)

Disclaimer

This datasheet is for the customers' reference. All the specifications are subject to change without notice.

© Xiamen Hongfa Hermetically Sealed Relays Co., Ltd. All rights of Hongfa are reserved.